



HARVESTING TECHNICS

FROM THE SPECIALIST AND FOR THE SPECIALIST



always one step ahead!

BISO – ALWAYS ONE STEP AHEAD



For the modern farmer the most important thing is to harvest all crops efficiently and as fast as possible without losses. To achieve these goals we have focused our development around the following specific points:

- > Weight optimization while increasing the stability for cutting widths up to 16 m
- > Absolute continuous material flow to the threshing elements of the combine
- > Changing to different cereals within shortest time
- > Minimizing of the losses on the cutting table
- > Precise cutting of the crop in the desired heights
- > Efficient and safe transport of the machines both on the road and in the field

The development of BISO harvesting machines is comparable to tuning a car. The combine manufacturers supply the solid base model – We make it to a winning „racing machine“, which fulfills the specific customer requirements perfectly.

A handwritten signature in black ink, which reads 'Franz Schrattenecker'. The signature is written in a cursive style with a large, stylized 'S' at the end.

FRANZ SCHRATTENECKER

CONTENTS

04

BISO ULTRALIGHT 800

THE ALUMINUM LIGHTWEIGHT HEADER WITHOUT COMPROMISING STRENGTH AND PERFORMANCE



06

BISO VX CROP RANGER

- > TRENDLINE AND HIGHLINE - THE ROBUST UNIVERSAL HEADER
- > TRENDLINE LIGHT FLEX - THE HEADER FOR ALL CEREALS
- > TRENDLINE LIGHT - THE BEST COST/PERFORMANCE MODEL



12

HEADER TRAILERS

THE ROAD TO SUCCESS

- > BISO PROFI STEER
- > BISO PROFI
- > BISO TANDEM
- > BISO SWIFT



16

BISO INTEGRAL CX

THE RAPE SEED HEADER EXTENSION FOR THE SPECIALIST



18

BISO SOJA-FLEX

SOY- AND PEA ATTACHMENT FOR MAXIMUM YIELD



20

BISO CORNPOWER

MAIZE HEADER, ROBUST AND POWERFUL



22

BISO SUNPOWER

SUNFLOWER HEADER – HIGH PERFORMANCE AND EASY OPERATION

- > BISO SUNFLOWER HEADER ASSEMBLING UNIT





> BISO ULTRALIGHT 800

THE ALUMINUM LIGHTWEIGHT HEADER WITHOUT COMPROMISING STRENGTH AND PERFORMANCE

This header is **the Ultimate for the professional** and sets new standards in the harvesting technology. It opens a new dimension in fast and loss-free harvesting in all soil- and crop conditions, and this for **cutting widths up to 16 m**.

By using lightweight technologies from the airline- and car industries **the header frame is made of aluminum**, combined with high strength steel and stainless steel, which is the basis for this unique Vario header.

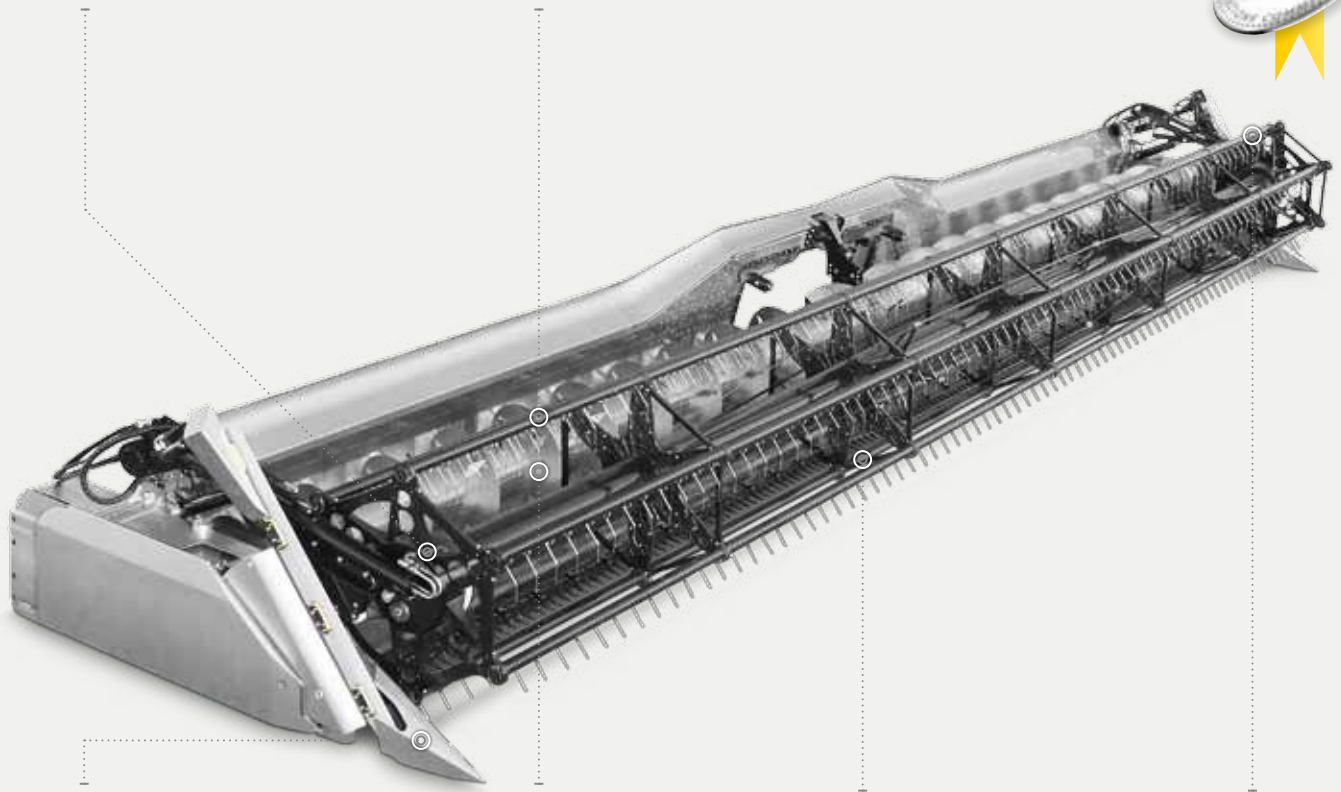
THE ADVANTAGES AT A GLANCE:

- > Cutting widths up to 16 m
- > Massive weight loss by increasing the stability
- > Header frame made of aluminum combined with high strength steel and stainless steel
- > Minimal vibration due to the rigid frame and double-sided drive of cutting knife and intake auger
- > 800 mm variable cutterbar
- > Perfect flow of material in both short crop and rape
- > Integrated, hydraulic foldable side knives
- > Hydraulic angle adjustment for flat crop and different soil conditions
- > Robust stainless steel intake auger
- > Modern designed splashguard to prevent grain losses



INTEGRATED HYDRAULIC REEL DRIVE INSIDE THE REEL TUBE
no wrapping

INTEGRATED WRAP PROTECTION FOR THE REEL

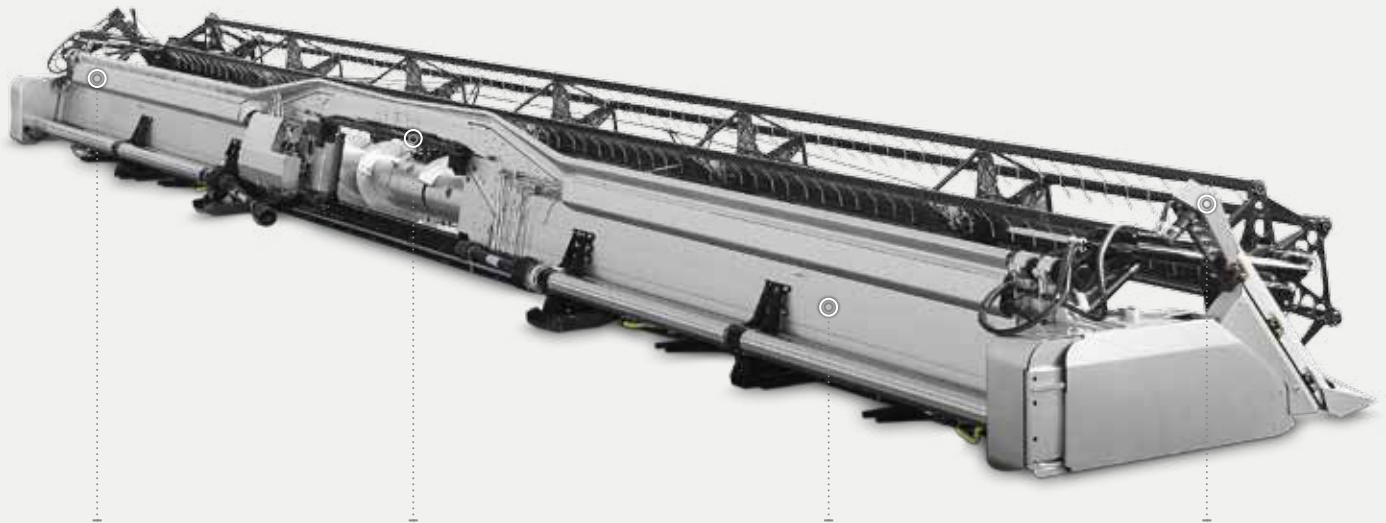


UNIVERSALLY ADJUSTABLE CROP DIVIDERS

INTAKE AUGER MADE OF STAINLESS STEEL

800 MM CONTINUOUS CUTTERBAR ADJUSTMENT
with stainless steel cover

ELECTRICAL REEL TINE ADJUSTMENT



MODERN DESIGNED SPLASHGUARD

HYDRAULIC ANGLE ADJUSTMENT

LIGHT, NON-VIBRATING HYBRID FRAME
up to 16 m working width

HYDRAULIC FOLDABLE SIDE KNIVES



> BISO VX CROP RANGER TRENDLINE AND HIGHLINE THE ROBUST UNIVERSAL HEADER

For many years of complete satisfaction of our customers the VX CROP RANGER models **TRENDLINE** and **HIGHLINE** are characterized by the robust and durable header frame. This enables **cutting widths up to 9 m**.

All optional Highlights can be ordered additionally for the model **TRENDLINE**. For the **HIGHLINE** Premium model all Highlights are standard except the splashguard.

THE ADVANTAGES AT A GLANCE:

- > 700 mm stepless movable cutterbar
- > Integrated, easy foldable side knives
- > Changing from cereals to rape within shortest time
- > Hydraulic angle adjustment for flat crop and different soil conditions (Option for Trendline)
- > Electric reel tine adjustment for optimal reel operation with all conditions (Option for Trendline)
- > Wrap protection for the reel to avoid wrapping round of weeds (Option for Trendline)
- > Robust stainless steel intake auger (Option for Trendline)
- > Splashguard to prevent grain losses (Option for both models)



INTEGRATED HYDRAULIC REEL DRIVE INSIDE THE REEL TUBE
no wrapping

ROBUST, DURABLE HEADER FRAME

HYDRAULIC ANGLE ADJUSTMENT
(Option for Trendline)

SPLASHGUARD
(Option)

INTAKE AUGER MADE OF STAINLESS STEEL
(Option for Trendline)

FOLDABLE ELECTRIC or HYDRAULIC SIDE KNIVES



WRAP PROTECTION FOR THE REEL
(Option for Trendline)

ELECTRICAL REEL TINE ADJUSTMENT
(Option for Trendline)

SHORT, SMALL CROP DIVIDERS
90° foldable inside for transport

700 MM STEPLESS MOVABLE CUTTERBAR
with stainless steel bed



> BISO VX CROP RANGER TRENDLINE LIGHT FLEX

THE HEADER FOR ALL CEREALS

With the **TRENDLINE LIGHT FLEX** BISO once more fulfils its reputation for being a pioneer in the development of a **universal header for all cereals**.

By removing a few screws this header can be changed from a rigid to flexible cutterbar. The cutterbar flexes up to 150 mm to the different ground conditions and makes possible **a perfect harvesting of soy and peas just above the ground**. The crop losses are reduced by up to 300 kg/ha.

THE ADVANTAGES AT A GLANCE:

- > 560 mm stepless movable cutterbar
- > Integrated, easy foldable side knives
- > Changing from cereals to rape within shortest time
- > 150 mm flexible movable cutterbar for perfect adaptation to the ground
- > Hydraulic angle adjustment for flat crop and different soil conditions (Option)
- > Electric reel fine adjustment for optimal reel operation with all conditions (Option)
- > Wrap protection for the reel to avoid wrapping round of weeds (Option)
- > Robust stainless steel intake auger (Option)
- > Splashguard to prevent grain losses (Option)

INTEGRATED HYDRAULIC REEL
DRIVE INSIDE THE REEL TUBE
no wrapping

WRAP PROTECTION
FOR THE REEL
(Option)

HYDRAULIC ANGLE ADJUSTMENT
especially for flat crop and hilly area
(Option)



CUTTERBAR WITH STAINLESS STEEL BED
• 560 mm stepless movable
• 150 mm flexible by removing of a few screws

ELECTRICAL REEL TINE ADJUSTMENT
(Option)



> BISO VX CROP RANGER TRENDLINE LIGHT

THE BEST COST/PERFORMANCE MODEL

The basic model **TRENDLINE LIGHT** in cutting widths up to 7,5 m with the perfect cost/performance ratio and its heavily reduced weight is therefore suited **especially for middle class combines**.

If required it can be equipped with different optional Highlights like hydraulic angle adjustment, electrical reel tine adjustment, splashguard and so on. Thus, each farmer can put together the header exactly according to his needs.

THE ADVANTAGES AT A GLANCE:

- > 700 mm stepless movable cutterbar
- > Integrated, easy foldable side knives
- > Changing from cereals to rape within shortest time
- > Hydraulic angle adjustment for flat crop and different soil conditions (Option)
- > Electric reel tine adjustment for optimal reel operation with all conditions (Option)
- > Wrap protection for the reel to avoid wrapping round of weeds (Option)
- > Robust stainless steel intake auger (Option)
- > Splashguard to prevent grain losses (Option)

INTEGRATED HYDRAULIC REEL
DRIVE INSIDE THE REEL TUBE
no wrapping

WEIGHT REDUCED
HEADER FRAME

HYDRAULIC ANGLE ADJUSTMENT
especially for flat crop and hilly area
(Option)

FOLDABLE ELECTRIC or
HYDRAULIC SIDE KNIVES



WRAP PROTECTION FOR THE REEL
(Option)

ELECTRICAL REEL TINE
ADJUSTMENT
(Option)

SHORT, SMALL CROP DIVIDERS
90° foldable downwards for trans-
port

700 MM STEPLESS MOVABLE
CUTTERBAR
with stainless steel bed

> BISO PROFI STEER

The **PROFI STEER** is the **Ultimate under the header trailers**. The trailer is characterized by the hydraulic rear steering axle, which ensures an **excellent manoeuvrability** even in tight corners or going around roundabouts, so **moving of large headers with a combine or tractor is now easy**. Further advantages are the front axle with full width for better driving comfort and the lower structure of the turntable, which shortens the total length of the trailer.

THE ADVANTAGES AT A GLANCE:

- > Suitable for header widths up to 16 m and 6.000 kg max. permissible total weight
 - > Perfect manoeuvrability through the rear steering axle with integral hydraulic system
 - > Optimal supports for all header types
 - > Drawbar adjustable in height
 - > Supports with angle adjustment
 - > Overrunning- and parking brake
 - > TÜV certification and type approval up to 25 km/h (40 km/h Option)
 - > No hydraulic- and brake lines under the frame
 - > Tyres 260/70/15,3 14 Ply
 - > Supports available in color of the combine (Option)
 - > Transport box for side knives 1,8 x 1,2 x 0,3 m (Option)
-

> BISO PROFI

The **BISO PROFI** trailer is suitable for cutting width up to 10,7 m. The trailer is attractive for its **smooth and comfortable manoeuvrability** due to the two axles with turntable at the front. The optimal positioning of the rear axle outside of the feeder house **prevents collisions** when loading or unloading the header.

THE ADVANTAGES AT A GLANCE:

- > Suitable for header widths up to 10,7 m and 4.500 kg max. permissible total weight
- > Smooth and easy manoeuvrability
- > Optimal supports for all header types
- > Supports with angle adjustment
- > TÜV certification and type approval up to 25 km/h (40 km/h Option)
- > Overrunning- and parking brake
- > Tyres 260/70/15,3 14 Ply
- > Reinforced brake up to 5.600 kg max. permissible total weight (Option)
- > Additional supports (Option)
- > Supports available in color of the combine (Option)
- > Transport box for side knives 1,8 x 1,2 x 0,3 m (Option)

ROBUST TURNTABLE

LEVER FOR LOCKING
THE REAR STEERING AXLE

LARGE DIMENSIONED
MAIN BEAM



FRONT AXLE WITH
FULL WIDTH

LOWER STRUCTURE
OF THE TURNTABLE
shortens the total length

REAR STEERING AXLE USING
INTEGRAL HYDRAULIC SYSTEM

DRAWBAR ADJUSTABLE
IN HEIGHT

SUITABLE SUPPORTS FOR
ALL HEADER TYPES

ANGLE OF SUPPORTS
ADJUSTABLE



TURNTABLE

QUICK FASTENER

OPTIMAL POSITIONING OF
THE REAR AXLE, no collision
with the feeder house

> BISO TANDEM

The BISO **TANDEM** trailer is suitable for cutting widths up to 9,15 m. The Tandem axle allows the **very good weight distribution** and **reversing without problems**.

THE ADVANTAGES AT A GLANCE:

- > Suitable for header widths up to 9,15 m and 3.650 kg max. permissible total weight
- > TÜV certification and type approval up to 25 km/h (40 km/h Option)
- > Low tyres 225/55 B12
- > Optimal weight distribution of the header
- > Perfect fixing with simple quick fasteners
- > Smooth handling
- > Overrunning brake (Option)
- > Parking brake (Option)
- > Winch for drawbar eye (Option)
- > Additional support (Option)
- > Supports available in color of the combine (Option)
- > Transport box for side knives 1,8 x 1,2 x 0,3 m (Option)

> BISO SWIFT

The **economical SWIFT** trailer with extendable axle is suitable for cutting width up to 7,3 m. Both axle and supports are freely movable and adjustable depending on customer requirements and allow an **optimal adaptation to each header**.

THE ADVANTAGES AT A GLANCE:

- > Suitable for header widths up to 7,3 m and 3.100 kg max. permissible total weight
- > TÜV certification and type approval up to 25 km/h (40 km/h Option)
- > Tyres 260/70/15,3 14 Ply
- > Perfect fixing with simple quick fasteners
- > Overrunning brake (Option)
- > Parking brake (Option)
- > Low tyres 23 x 9-10 20 Ply (Option for AGCO combines)
- > Extendable axle for easier taking-off of the header (Option)
- > Winch for drawbar eye (Option)
- > Additional support (Option)
- > Supports available in color of the combine (Option)
- > Transport box for side knives 1,8 x 1,2 x 0,3 m (Option)

HEIGHT ADJUSTABLE
DRAWBAR EYE

QUICK FASTENER

SUPPORTS AND AXLE
MOVEABLE IF REQUIRED

ANGLE OF SUPPORTS
ADJUSTABLE



EXTENDABLE DRAWBAR FOR
ALL HEADER WIDTHS

OPTIMAL SUPPORTS FOR
ALL HEADER TYPES

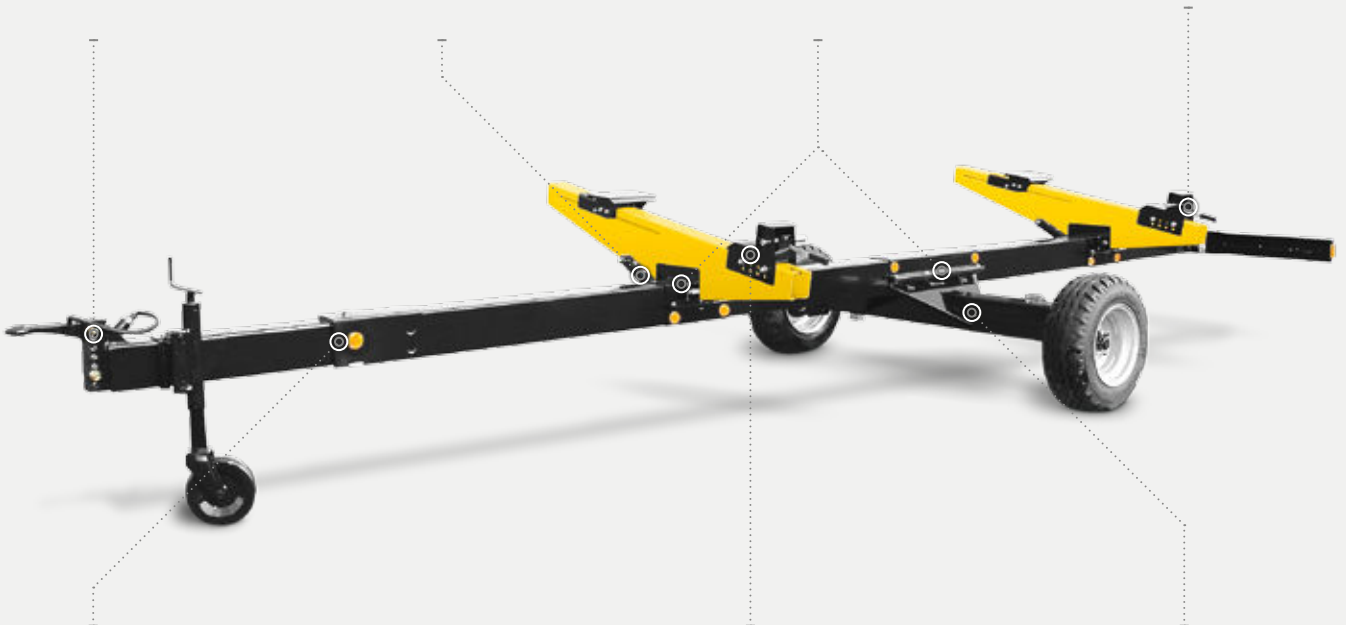
LIGHT BAR
POSITIONED HIGHER

HEIGHT ADJUSTABLE
DRAWBAR EYE

ANGLE OF SUPPORTS
ADJUSTABLE

SUPPORTS AND AXLE
MOVEABLE IF REQUIRED

QUICK FASTENER



EXTENDABLE DRAWBAR FOR
ALL HEADER WIDTHS

OPTIMAL SUPPORTS FOR
ALL HEADER TYPES

AXLES ADJUSTABLE IN HEIGHT



> BISO INTEGRAL CX

THE RAPE SEED HEADER EXTENSION FOR THE SPECIALIST

This header extension, that has proved itself **over 10.000 times**. It has been successful without any kind of restriction and has become to an essential tool for our clients.

Especially through its numerous technical details like horizontal and vertical steps in the bed, constant flat under-floor and high performance side knives, the losses are completely minimized.

A device, that **pays for itself in the shortest time**.

THE ADVANTAGES AT A GLANCE:

- > Up to 200 kg/ha additional yield
- > **Very robust** because of the self-supporting sandwich-construction
- > Maintenance free oil-bath gearbox
- > Integral hydraulic system
- > 1,30 m long high performance side knife (if requested, operated from the cab)
- > Easy mounting on all current headers without any tools

**HIGH-PERFORMANCE
SIDE KNIVES ADJUSTABLE
IN HEIGHT**

SUPERIOR PERFORMANCE
The top cover on the extension bed is stepped to stop any seed running off the front of the header and helps keep the crop feeding into the auger

PERFECT IN EVERY DETAIL
The losses at the side of the header are reduced greatly by the profiled side sheets of the extension



**LARGE, SMOOTH, ROUNDED
OUTER SHEET COVER**
allows a trouble-free sliding
of the rape stems

CONGESTION-FREE FALLING STEP
The transition sheet avoids losses at
the rape or grain header

**ELECTRIC OR HYDRAULIC
SIDE KNIVES**
can be operated from
the cab if requested



> BISO SOJA-FLEX

SOY- AND PEA ATTACHMENT FOR MAXIMUM YIELD

Customers working with the **SOJA-FLEX**, appreciate its function, because with the BISO „area-adjustment-system“ also **the fruitful lower part of the plant can be harvested**, resulting in significant increase in yield.

THE ADVANTAGES AT A GLANCE:

- > 200 – 300 kg/ha additional yield
- > The unique BISO „area-adjustment-system“ promises an optimal cut, close to the ground, even with bigger cutting widths.
- > Easy mounting on all current headers without any tools

RETRACTABLE FRAME FOR EASY COUPLING

NARROW SINGLE SPRING STEEL SHEETS
follow every movement of the spring system and allow a trouble-free flow of beans and peas

ADJUSTABLE TURNBUCKLES
for safe locking on the grain header

LONG CROP DIVIDERS AND SEPARATORS
divide the crop optimally



SPECIAL CUTTING SYSTEM WITHOUT CLOGGING

OIL BATH GEAR
mounted floating by a lever arm

SLIDING SKIDS OVER THE WHOLE HEADER CUTTING WIDTH
for a partially optimal deflection of the BISO Flex



> BISO CORNPOWER

MAIZE HEADER, ROBUST AND POWERFUL

This cornpower is constructed **for professional agriculture** for the harvest of big fields.

The rigid frame and the robust, reliable row units with the optimal position of the horizontal chopper guarantee the highest performances in the field.

Whether **5-, 6- or 8 rows**, the Cornpower has proven, that it delivers what it promises.

THE ADVANTAGES AT A GLANCE:

- > Highest harvesting performance
- > Almost 100% of the corn cobs get cut gently
- > The horizontal high-performance chopper on the underside cuts the maize crop in a reliable and energy-saving way
- > Hydraulic adjustable cutterbar
- > Hydraulic angle adjustment for adapting to different harvesting conditions (Option)
- > Sunflower conversion kit for sunflower harvesting (Option)

HYDRAULIC ANGLE ADJUSTMENT

SPLASHGUARD

CENTRAL LUBRICATION



HYDRAULIC ADJUSTABLE CUTTERBAR

PERFECT POSITION OF THE HORIZONTAL CHOPPER



> BISO SUNPOWER SUNFLOWER HEADER HIGH PERFORMANCE AND EASY OPERATION

THE ADVANTAGES AT A GLANCE:

- > **Constant harvest** through feeding chain
- > **The vibrating device at the feeder** brings the crop completely into the combine
- > **Horizontally rotating cutting knives** with an overload facility via a clutch with friction discs
- > **Hydraulic angle adjustment** for adapting to different harvesting conditions (Option)

> BISO SUNFLOWER HEADER ASSEMBLING UNIT

FOR EVERY APPLICATION THE RIGHT DEVICE:

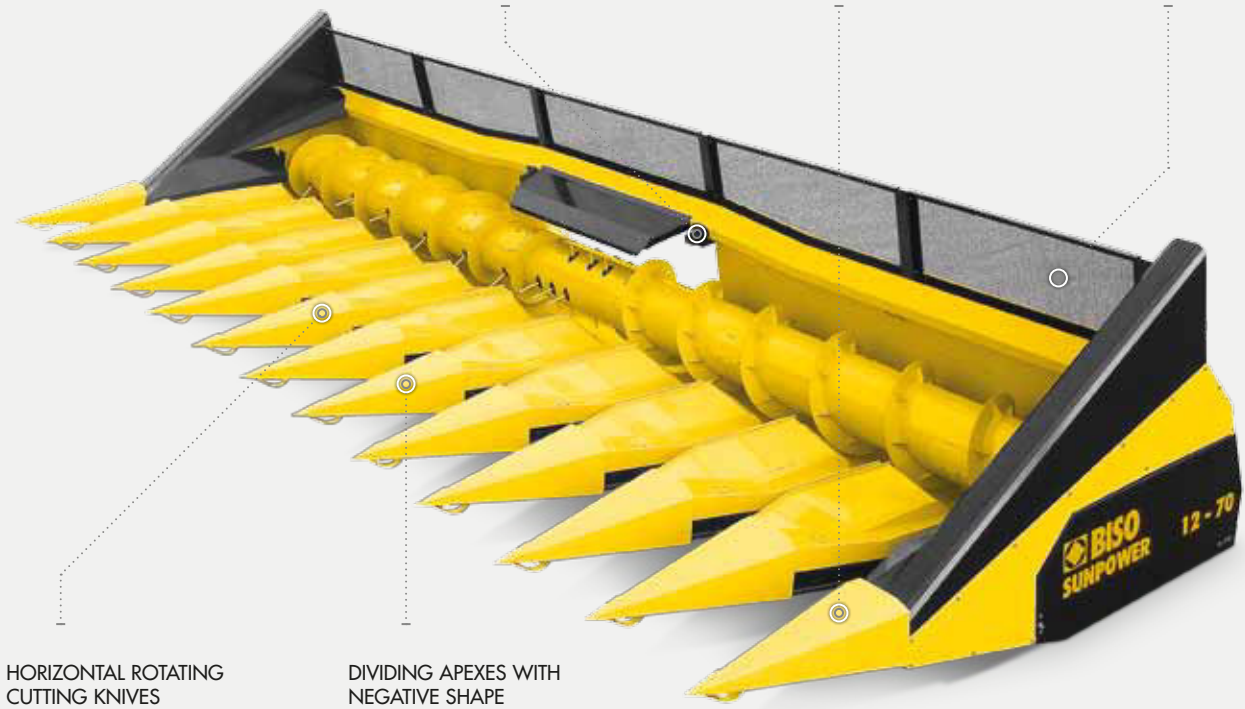
Cheap sunflower conversion kit for header attachment **for smaller fields** or the professional **SUNPOWER** 6-, 8- or 12 rows **for large-scale operation**, with which crop losses can be reduced up to 200 kg/ha.

BISO offers for all variants **high performance and best quality.**

HYDRAULIC ANGLE
ADJUSTMENT (Option)

VIBRATION HOODS

GRAIN LOSS GRID



HORIZONTAL ROTATING
CUTTING KNIVES
No grain loss

DIVIDING APEXES WITH
NEGATIVE SHAPE
for low loss



SHUTTLES

REEL COVERS

HUGE CROP DIVIDERS

BISO DEVICES OPTIMIZE THE PERFORMANCE OF ALL LEADING COMBINE MANUFACTURERS.



BISO Schrattecker GmbH
Kammer 26
4974 Ort im Innkreis / Austria
Phone: +43/7751/7911-21
e-mail: verkauf.ort@biso.at

www.biso.at

 **BISO**
SCHRATTENECKER
HARVESTING TECHNICS

always one step ahead!